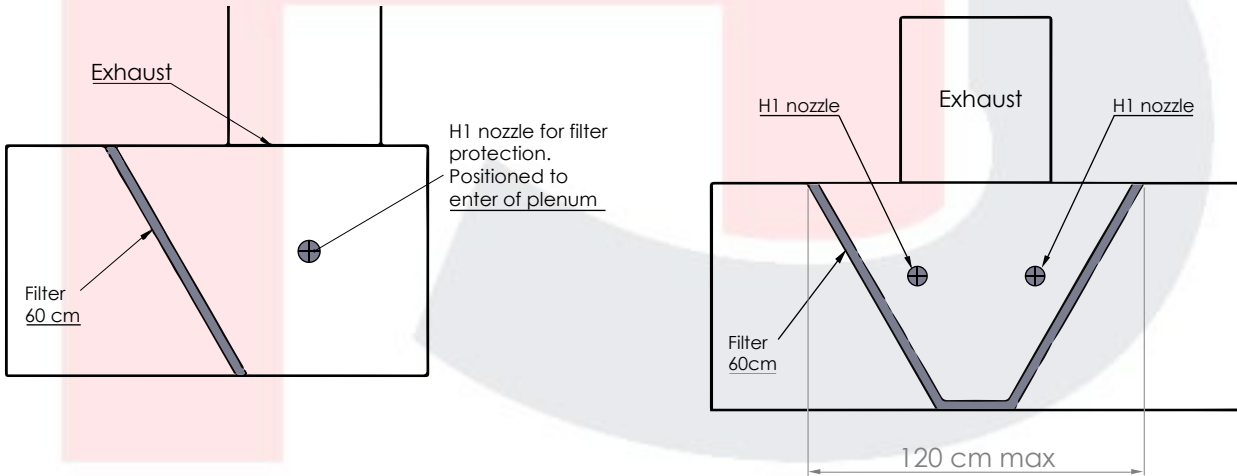


Exhaust & filter protection nozzle placement for a 4 m. hood with 2 exhausts
This installation has 4 flow (4x1 flow nozzles)



Filter protection nozzle placement

1 flow (1x1 flow)

"V" type filter protection nozzle placement

2 flow (2x1 flow)

Install 1 pc. of H1 nozzle for "V" type filters with up to 60 cm. height.

Install 2 pcs. of H1 nozzles for "V" type filters with up to 60 cm. height and 120 cm. space. Allowed nozzle distance from filter surface is max. 45 cm. for each filter. If the filter distance is smaller than 120 cm., install 1 pc. of H1 nozzle for filter protection.